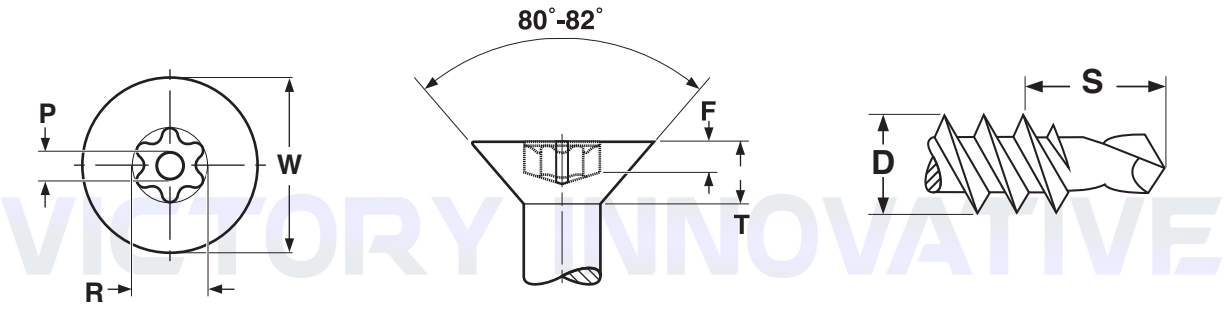


SECURITY SELF-DRILLING **Flat Head**
Six Lobe Recess



| SIX-LOBE PIN-IN FLAT HEAD SELF-DRILLING SECURITY SCREWS | | | | | | | | | | | |
|--|--------------------------|------|-------------|-------------------|--------------|-------------------|-----------------------|-------|--------------|-------------|-------------|
| Nominal Size & Threads per Inch | W | | T | R | P | F | D | | S | Point Style | Driver Size |
| | Head Dimensions | | | Recess Dimensions | | | Major Thread Diameter | | Point Length | | |
| | Head Diameter | | Head Height | Recess Width | Pin Diameter | Gauge Penetration | | | | | |
| | Max | Min | Ref | Ref | Ref | Min | Max | Min | Ref | | |
| 8-18 | .312 | .285 | .100 | .132 | .040 | .040 | .166 | .161 | .211 | #2 | T15 |
| 10-16 | .362 | .333 | .116 | .155 | .055 | .050 | .189 | .183 | .235 | #2 | T20 |
| 12-14 | .412 | .380 | .132 | .178 | .070 | .055 | .215 | .209 | .353 | #3 | T25 |
| 10-24 | .362 | .333 | .116 | .155 | .055 | .050 | .1900 | .1818 | .193 | #2 | T20 |
| Tolerance on Length | Up to 3/4" length, incl. | | | | | | 1" and longer | | | | |
| | +0, -.03 | | | | | | +0, -.05 | | | | |