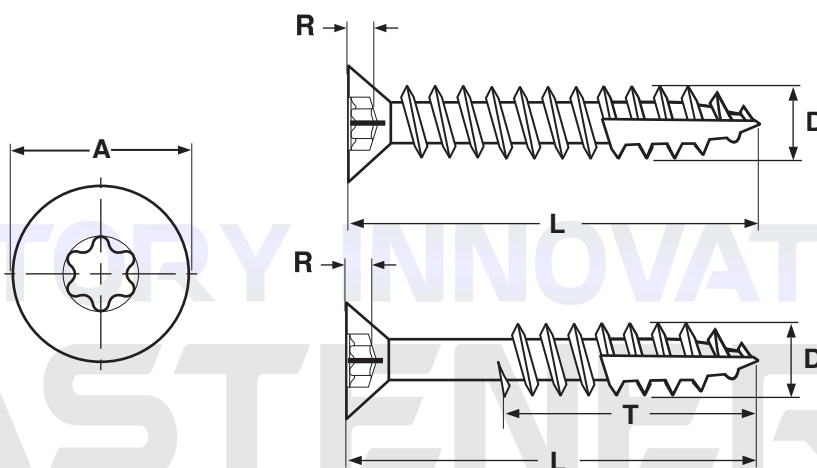


Flat Head w/  
Six-Lobe Recess

# TY-17 EXTERIOR/DEEP THREAD—STEEL



## FLAT SIX-LOBE RECESS EXTERIOR SCREW WITH TYPE-17 POINT—STEEL

Nominal Diameter	A		R	D		T		Recess Size
	Head Diameter		Recess Depth	Major Diameter		Threaded Length		
	Max	Min	Min	Max	Min	L ≤ 1"	L > 1"	
6	0.262	0.232	0.035	0.142	0.131	Full thread	2/3 thread	T-10
8	0.332	0.285	0.039	0.175	0.159	Full thread	2/3 thread	T-15
9	0.354	0.316	0.051	0.193	0.183	Full thread	2/3 thread	T-20
10	0.385	0.333	0.050	0.209	0.185	Full thread	2/3 thread	T-20
Tolerance on Length		Up to 5/8"				±0.03		
		Over 5/8 to 1.5"				±0.05		
		Over 1.5 to 2.75"				±0.06		
		Over 2.75 to 5"				±0.09		

<b>Description</b>	An externally threaded fastener with a countersunk head, six-lobed recess, a single lead thread. The shank has a reduced diameter and a chip cavity cut out where the final several threads end at the tip.
<b>Applications / Advantages</b>	The deeper thread design offers greater resistance to pull-out forces. The six-lobe recess transmits drive torque with less required downward pressure.
<b>Material</b>	C1022 case-hardened steel
<b>Surface Hardness</b>	Rockwell C 45 minimum
<b>Case Depth</b>	0.004" - 0.009"
<b>Torque</b>	#6 Diameter: 21 kg/cm min.; #8 Diameter: 35 kg/cm min.; #9 Diameter: 50 kg/cm min.; #10 Diameter: 50 kg/cm min.
<b>Plating</b>	See Appendix-A for plating information