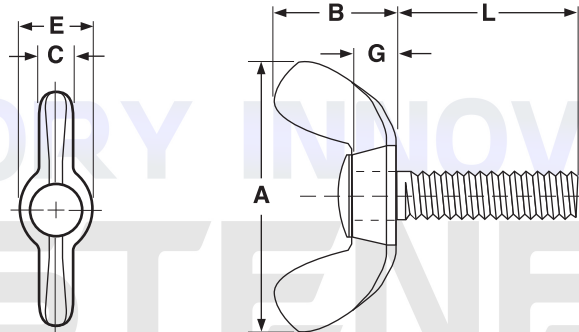


WING SCREWS Type A



VICTORY INNOVATIVE FASTENERS
YOUR GLOBAL FASTENER SOURCE

| COLD-FORMED WING SCREWS, TYPE A | | | | | | | | | | | ASME B18.6.8- 2010 | |
|--|------------------|------------------------------|------|-------------|------|------------------------------|------|---------------|------|-------------|--------------------------|--|
| Nominal Size | Threads per Inch | A | | B | | C | | E | | G | | |
| | | Wing Spread | | Wing Height | | Wing Thickness | | Boss Diameter | | Boss Height | | |
| | | Max | Min | Max | Min | Max | Min | Max | Min | Max | Min | |
| 8 | 32 | 0.91 | 0.78 | 0.47 | 0.34 | 0.14 | 0.10 | 0.43 | 0.39 | 0.18 | 0.14 | |
| 10 | 24 & 32 | 0.91 | 0.78 | 0.47 | 0.34 | 0.14 | 0.10 | 0.43 | 0.39 | 0.18 | 0.14 | |
| 1/4 | 20 | 1.10 | 0.97 | 0.57 | 0.43 | 0.18 | 0.14 | 0.50 | 0.45 | 0.22 | 0.17 | |
| 5/16 | 18 | 1.25 | 1.12 | 0.66 | 0.53 | 0.21 | 0.17 | 0.58 | 0.51 | 0.25 | 0.20 | |
| 3/8 | 16 | 1.44 | 1.31 | 0.79 | 0.65 | 0.24 | 0.20 | 0.70 | 0.64 | 0.30 | 0.26 | |
| Tolerance on Length | | Nominal Screw Lengths | | | | | | | | | | |
| | | Up to 1 inch, incl. | | | | over 1 inch to 2 inch, incl. | | | | over 2 inch | | |
| | | ± 0.03 | | | | ± 0.06 | | | | ± 0.09 | | |

| | |
|--------------------------------|---|
| Description | A screw having a wing-shaped head designed for manual turning without a driver or wrench. The type-A style is manufactured in two pieces with the cold-formed, winged head portion installed permanently to the shank. |
| Applications/Advantages | For use in applications where the fastener is frequently adjusted and where tightening torque greater than that achieved with finger pressure is not required. Greater torque can be applied manually turning a wing screw than a thumb screw because of the wider head. The case-hardened shank of the Type-A wing screw gives the threads greater resistance to abrasion than other low carbon wing screws. |
| Material | Carbon steel (the shank is case-hardened) |
| Plating | See Appendix-A for plating information. |