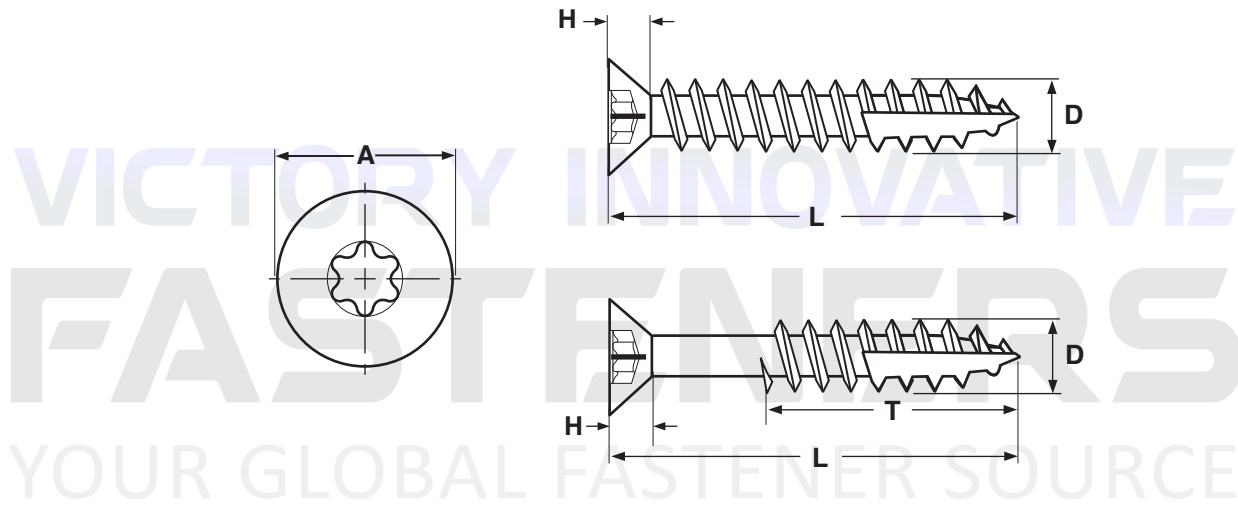


Six-Lobe Flat Head

DECK SCREWS W/TYPE-17 POINT



FLAT SIX-LOBE COARSE THREAD DECK SCREWS W/NIBS

Screw Size	Threads per Inch	A		D		H	Drive Size
		Head Diameter		Major Diameter		Head Height	
		Max	Min	Max	Min	Max	
6	13	0.262	0.238	0.148	0.135	0.082	T10
8	9	0.331	0.285	0.185	0.165	0.108	T20
9	9	0.358	0.316	0.197	0.180	0.124	T25
10	8	0.384	0.339	0.208	0.192	0.124	T25
<b>Tolerance on Length</b>	Up to 5/8": +0, -.03	Over 5/8 thru 1": +0, -.05		Over 1 thru 1.5": +0, -.05	Over 1.5 thru 2.75": +0, -.06	Over 2.75": +0, -.09	

In the absence of a single industry standard for Deck Screws, these dimensions are offered as a guide; slight deviations are acceptable.

<b>Description</b>	An externally threaded fastener with a countersunk head, six-lobe recess and a single lead thread. The bearing surface of the countersink has several equidistant nibs running down the underside of the head from the top, outer edge. The shank has a full body diameter and a chip cavity cut out where the final several threads end at the tip.
<b>Applications / Advantages</b>	The deeper thread design offers greater resistance to pull-out forces. The chip cavity (or auger point) enables the fastener to drive—especially in denser woods—without pre-drilling a pilot hole.
<b>Material</b>	1018 - 1022 Steel
<b>Plating</b>	See Appendix-A for plating information.