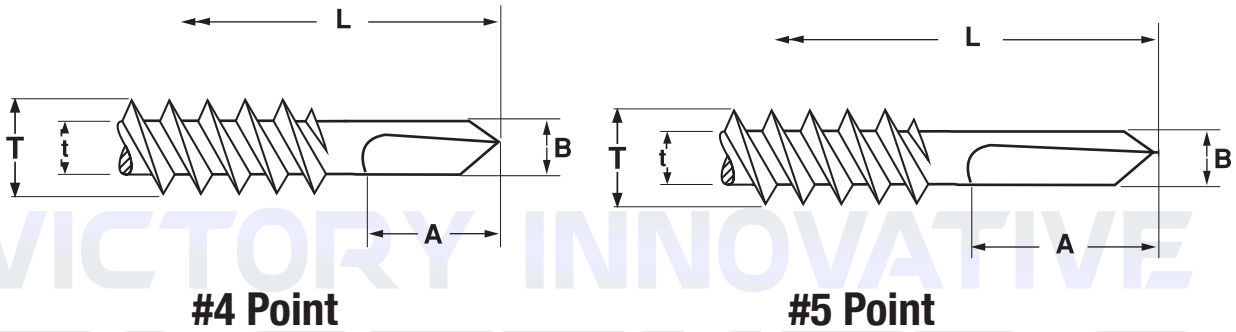


#4 & #5 Point with Spaced Thread **SELF-DRILLING**



#4 & #5 POINT SELF DRILLING SCREWS, TAPPING SCREW THREAD

Diameter & Thread Pitch	L Length (+0, -.050)	Point Size	T		t		A		B		*Drilling Capacity	
			Major Thread Diameter		Minor Thread Diameter		Drill Point Length		Drill Point Diameter		Max	Min
			Max	Min	Max	Min	Max	Min	Max	Min		
10-16	1.5"	#5	.187	.185	.136	.134	.530	.505	.162	.150	-	-
12-14	7/8 thru 2"	#4	.215	.209	.164	.157	.480	.455	.202	.188	.312	.145
12-14	3/4 thru 4"	#5	.215	.209	.164	.157	.630	.605	.202	.188	.500	.250
1/4-14	7/8 thru 6"	#4	.246	.240	.192	.185	.650	.625	.225	.215	.312	.145
1/4-14	1.5 thru 8"	#5	.246	.240	.192	.185	.755	.730	.225	.215	.500	.250
5/16-12	1 thru 1.5"	#4	.315	.307	.272	.263	.570	.515	.285	.275	.312	.110
5/16-12	1 thru 4"	#5	.315	.307	.244	.236	.708	.630	.283	.268	-	-

* Drilling capacity recommendations are provided for those sizes where this information is available. The fastener industry does not have a recognized governing standard for spaced thread #4 & #5 drill point screws.

Description	A tapping screw with an integrally formed hex washer head, spaced threads, and a drill point significantly longer than that of a #2 or #3 point drill screw.	
Applications/ Advantages	Designed to drill through a greater thickness of steel than a standard self drilling screw. Although it can assist in attaching metal deck to structural steel, the #4 & #5 point self drilling screws are not structural bolts and should not be used as such.	Will drill through thicker sheets of stainless than a #2 or #3 drill point. In the absence of industry test results, each user should carefully test to see if parts will work in desired application. The hardness of the material to be drilled should be a minimum of 10-20 Rockwell hardness points less than the hardness of the fastener.
Material	AISI 1022 or equivalent steel	18-8, 316 or 410 Stainless
Heat Treatment	Screws shall be quenched in liquid and then tempered by reheating to 625°F minimum.	410 SS: An ideal method of hardening 410 stainless screws is a bright hardening process, which typically involves a vacuum furnace. Another key factor affecting hardness is the chemistry of the fastener--most elements have maximum values but not minimums. This fact can contribute to hardness variance. 18-8 & 316 are only hardenable by cold-working.
Case Hardness	Rockwell C52 - 58	
Case Depth	<i>No. 12 diameter:</i> .004 - .009 <i>1/4 and larger:</i> .005 - .011	
Hardness	Core: Rockwell C32 - 40 (after tempering)	410 SS: Rockwell C38 - 46 (approx.) 18-8 & 316 SS: Rockwell B100 (approx.)
Plating	See Appendix-A for plating information.	Stainless drill screws are usually supplied without additional finish.