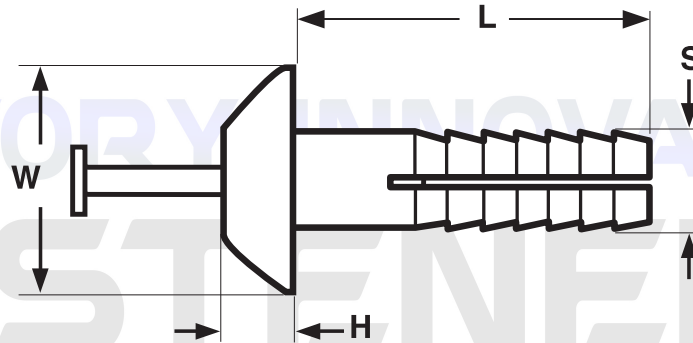


All Nylon
Nylon / Steel

MUSHROOM HD DRIVE PIN ANCHOR RIVET



VICTORY INNOVATIVE
FASTENERS
YOUR GLOBAL FASTENER SOURCE

| TWO PIECE DRIVE PIN ANCHOR RIVETS, MUSHROOM HEAD | | | | | | |
|--|------------|------|-------------|------|----------------|------|
| Nominal Diameter | W | | H | | S | |
| | Head Width | | Head Height | | Shank Diameter | |
| | Max | Min | Max | Min | Max | Min |
| 10 | .568 | .558 | .115 | .105 | .203 | .173 |
| 1/4 | .568 | .558 | .115 | .105 | .265 | .235 |
| Tolerance on Length | | | +/- .062 | | | |

VICTORY INNOVATIVE
FASTENERS

| | |
|---------------------------------|---|
| Description | A fastening system which consists of two parts: (1) a nylon component which has a cylindrical shank split on two sides, 180° apart, extending from the bottom of the shank up most of the distance to the head. The shank has several ribs extending completely around its circumference. Mushroom head style has a gently rounded top surface and flat bearing surface. (2) a pin expander (which may be steel or nylon) which passes through a concentric channel extending from an opening in the top of the head of the nylon piece down into the shank to a point just below the spot where the split ends below the head. The steel pin has a slot across the top of its head, a chiseled point similar to a nail, and threads on its own shank which helps to lock the anchor in place upon installation. The nylon pin has a smooth, flat top and smooth shank. |
| Applications/ Advantages | An economical multipurpose blind fastener for use in predrilled hole and installed with a hammer. Provides resistance to electrical conductivity, vibration and corrosion. Can be used in floor plates, truck trailers, plumbing fixtures, window/drapery hardware and storage shelves. The mushroom head variety can be used in most applications. Steel pin variety offers greater pull-out strength. |
| Material | All Plastic style: Nylon 6/6 impact modified Plastic Rivet/Steel Pin style: Rivet- Nylon 6/6 impact modified, Pin- Carbon Steel w/ Zinc Plate |
| Melting Point | 500° F |