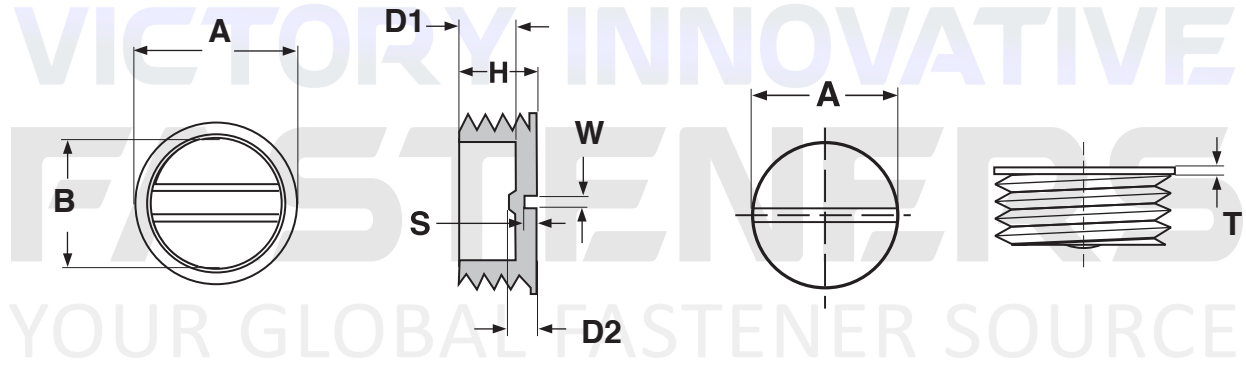


Slotted with
NPT Thread

PIPE PLUGS



SLOTTED PIPE PLUGS WITH NPT THREAD																
Nominal Diam & Thread Pitch	A		B		D1		D2		H		W		S		T	
	Outside Diameter		Bottom Internal Diameter		Total Underside Depth		Depth to Underside of Recess		Total Thickness		Slot Width		Slot Depth		Thread Stop Thickness	
	Max	Min	Max	Min	Max	Min	Max	Min	Max	Min	Max	Min	Max	Min	Max	Min
1/2-14	.795	.785	.635	.625	.235	.225	.095	.085	.297	.287	.075	.065	.055	.045	.050	.040
3/4-14	1.030	1.020	.850	.840	.213	.203	.109	.099	.255	.245	.068	.058	.075	.065	.070	.060

VICTORY INNOVATIVE
FASTENERS
YOUR GLOBAL FASTENER SOURCE