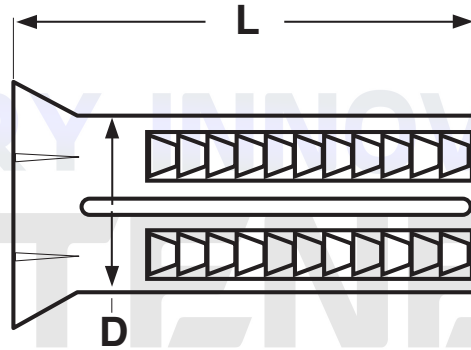


LEAD WOOD SCREW STYLE



LEAD WOOD SCREW ANCHOR					FF-S-325 Group IV, Type 1	
Wood Screw Size	Fractional Screw Size	D Nominal Outside Diameter	L Lengths	Proof Test Loads (pounds)		
				Anchor Lengths (inches)		
				3/4"	1"	1 1/2"
6	1/8 - 3/16"	1/4"	3/4, 1, 1 1/2	80	88	100
8	1/8 - 3/16"	1/4"	3/4, 1, 1 1/2	88	122	192
10	3/16 - 1/4"	5/16"	3/4, 1, 1 1/2	100	160	540
12	3/16 - 1/4"	5/16"	3/4, 1, 1 1/2	104	196	624
14	1/4 - 5/16"	3/8"	1, 1 1/2, 2	192	360	800
16	5/16"	3/8"	1, 1 1/2, 2	---	380	900
18	5/16"	3/8"	1, 1 1/2, 2	---	412	940

Description	A hollow, cylindrical anchor which is split from the bottom up for the majority of its length and has longitudinal ribs for part of its length. The diameter at the split (bottom) end is tapered; the top end is flared to a wider diameter than the remainder of the anchor's body.
Applications/ Advantages	Used with wood screws, lags and tapping screws for light duty applications in brick, block, drywall, masonry or concrete. Will conform to irregular, out-of-round holes.
Material	Lead alloy
Anchor Spacing	Anchors should be installed a minimum of ten anchor diameters between each other and a minimum of five anchor diameters from the edge.
Depth of Hole	Should be at least 1/4" longer than the length of the anchor.
Tensile Strength	The suggested safe working load is one-fourth the average proof test loads shown in the above table.