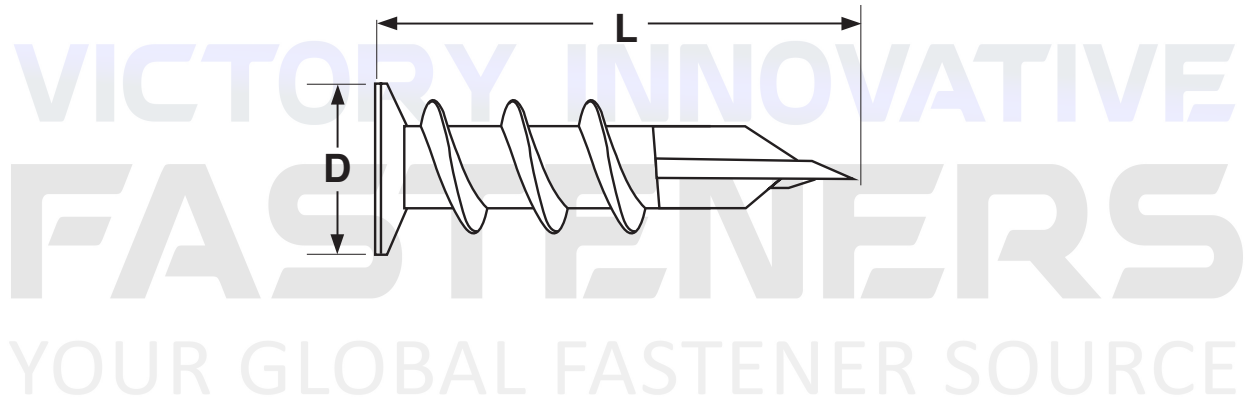


ONE-STEP Plastic & Die-Cast Zinc



ONE-STEP WALLBOARD ANCHOR											
For use with Screws of these Nominal Diameters	D	L	Wall Thickness Range	Ultimate Tensile Strength				Ultimate Shear Strength			
	Collar Diameter	Anchor Length		Gypsum Thickness				Gypsum Thickness			
				3/8"	1/2'	5/8'	3/4'	3/8'	1/2'	5/8'	3/4'
6	15/32	1-5/16	3/8 to 5/8"	45	55	70	75	50	55	70	80
8	9/16	11/16	3/8 to 1"	50	65	80	85	60	70	100	100

Description	A tubular device, tapered from top to bottom, with a countersunk lip at the top end, a deep cutting thread around the outside fo the anchor body, and a tapered end at the bottom designed to puncture and drill a hole in drywall.
Applications/ Advantages	This anchor drills its own hole in and works in any thickness of drywall, without tearing the paper coating. It can easily be backed out of its hole with a #2 screwdriver bit. It's designed for use in lightweight applications, such as curtain hardware, small pictures and lightweight signs. It should not be used for overhead applications. The nylon variety is used when requiring a non-conductive anchor.
Material	<i>Metal:</i> Die-cast zinc <i>Plastic:</i> Injection molded Nylon
Anchor Spacing	Anchors should be spaced 18-24 inches apart from each other (measured from the center of the anchor).
Tensile and Shear Strengths	The suggested safe working load is one-fourth the average test loads listed in the above table.